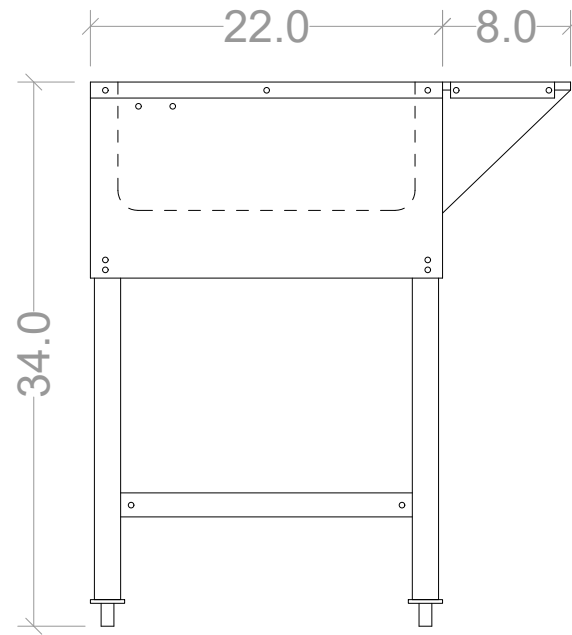
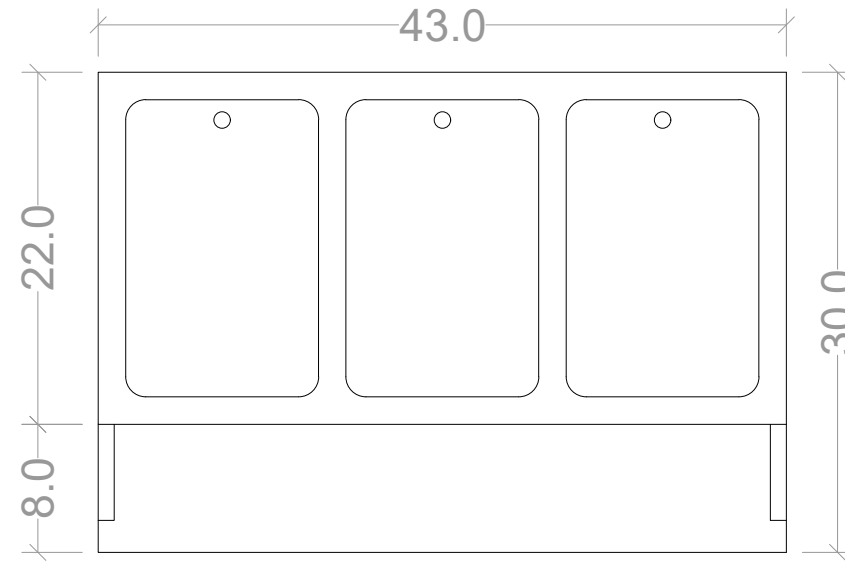


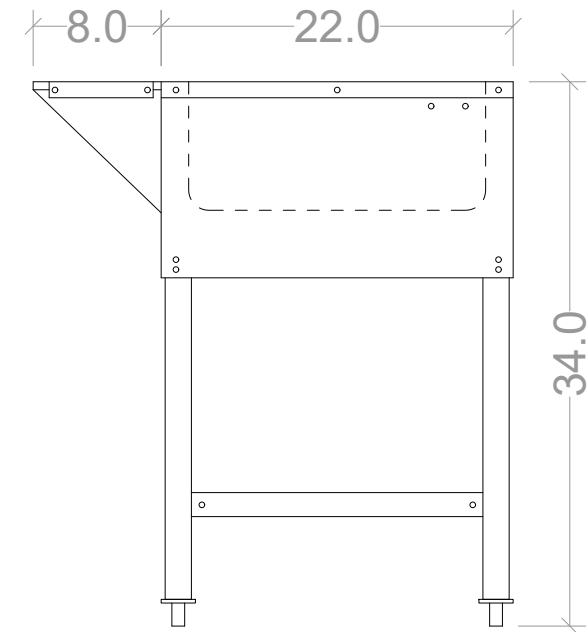
LEFT VIEW



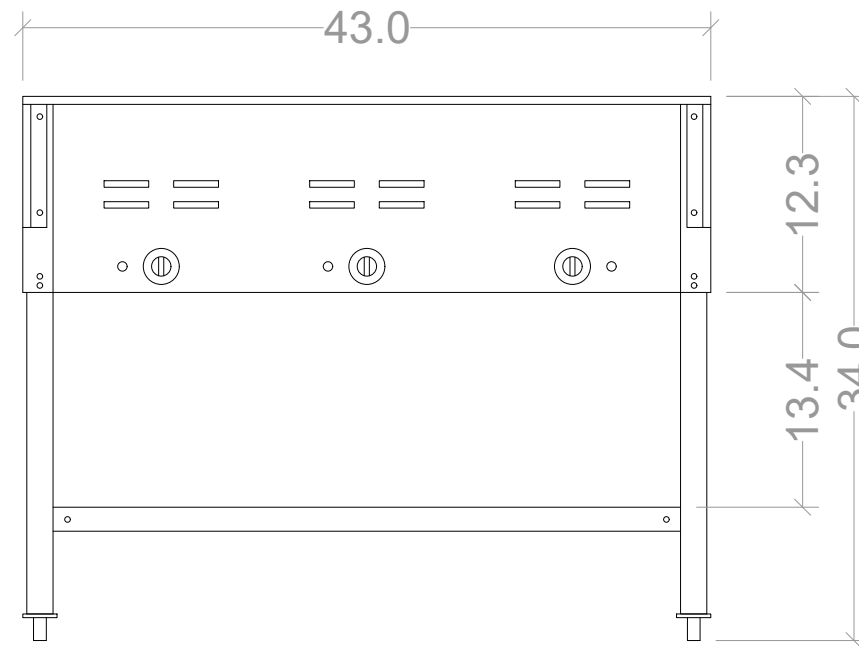
TOP VIEW

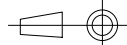


RIGHT VIEW

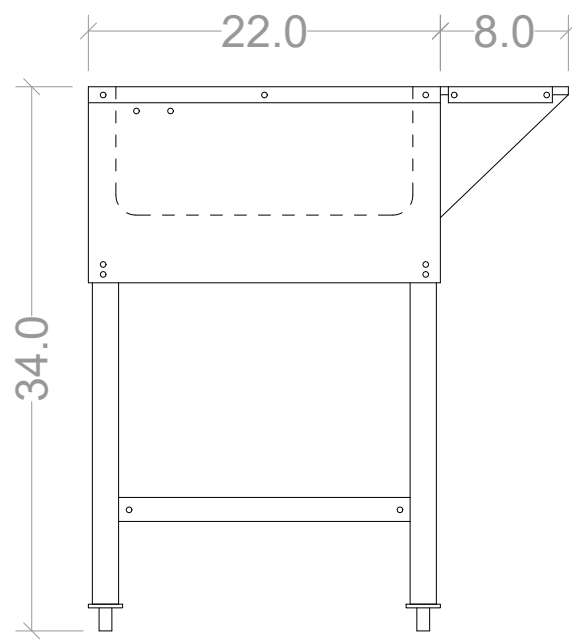


FRONT VIEW

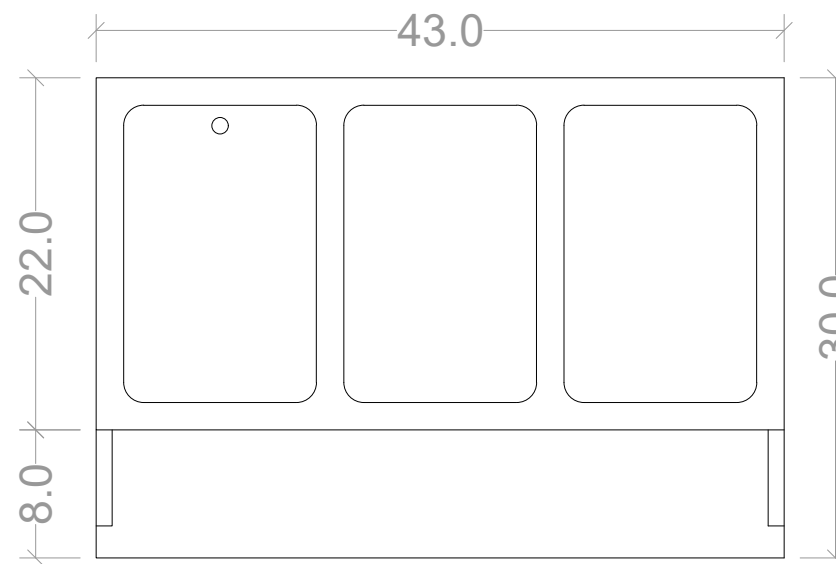


GENERAL TOLERANCES: ANGLES: $\begin{matrix} +1^\circ \\ -1^\circ \end{matrix}$ STRAIGHT: $\begin{matrix} +0.5 \text{ mm} \\ -0.5 \text{ mm} \end{matrix}$		CODE		STE-003E	
		STEAM TABLE			
PROJECTION: 		MATERIAL		304 STAINLESS STEEL	
		GAUGE	FINISH	UNITS	
		18	POLISHED	INCH	
		REVIEW LEVEL	LAST DATE	DESIGN BY:	
		0	01/07/2023	SOLID	

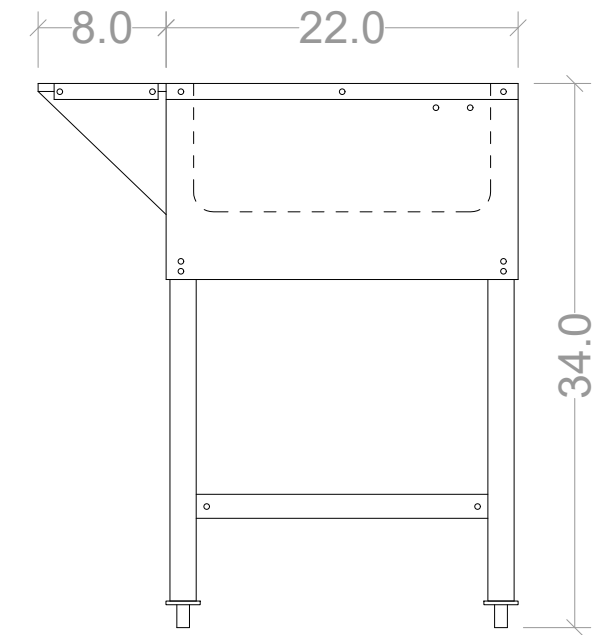
LEFT VIEW



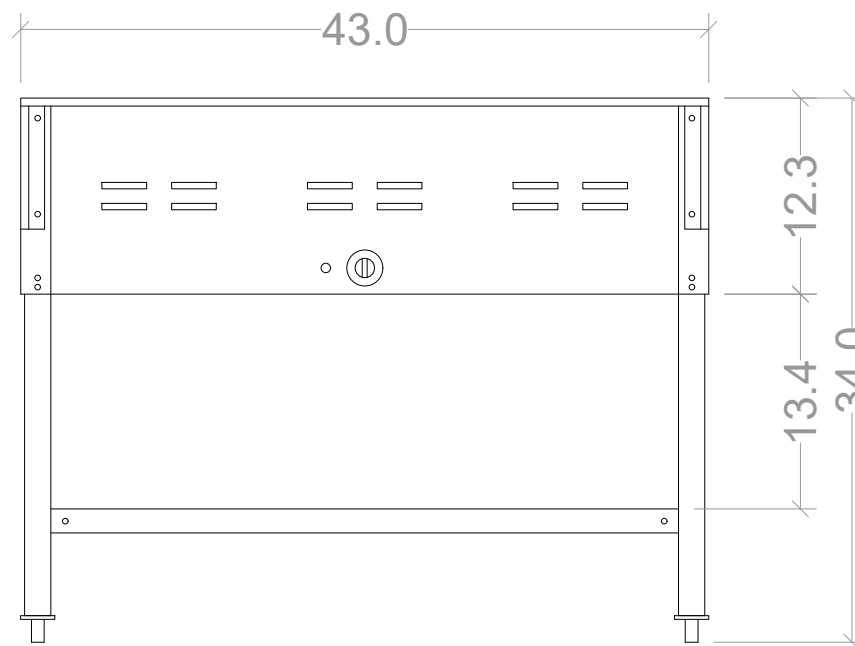
TOP VIEW

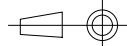


RIGHT VIEW

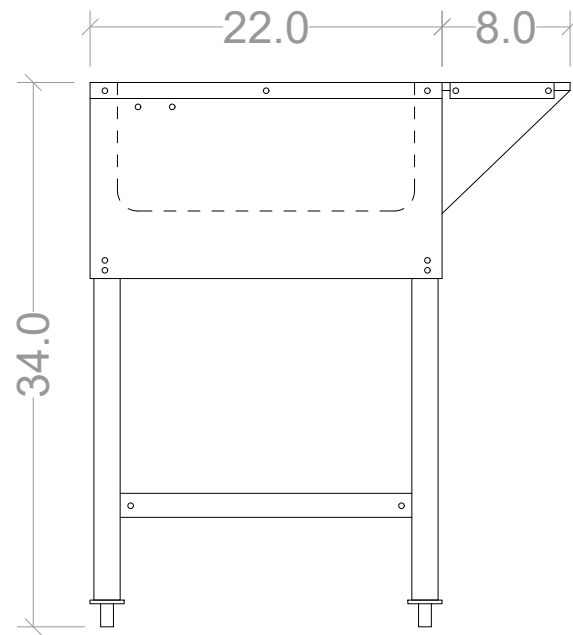


FRONT VIEW

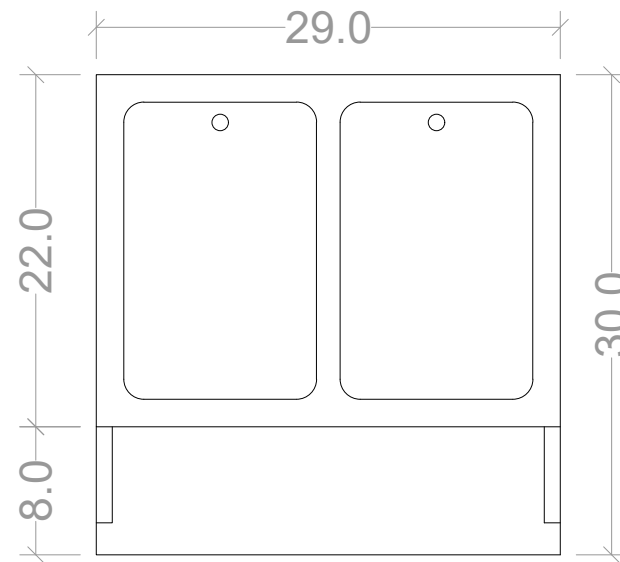


GENERAL TOLERANCES: ANGLES: $+1^{\circ}$ -1° STRAIGHT: $+0.5\text{ mm}$ -0.5 mm		CODE		STM-003E	
		STEAM TABLE			
PROJECTION: 		MATERIAL		304 STAINLESS STEEL	
		GAUGE	FINISH	UNITS	
		18	POLISHED	INCH	
		REVIEW LEVEL	LAST DATE	DESIGN BY:	
		0	01/07/2023	SOLID	

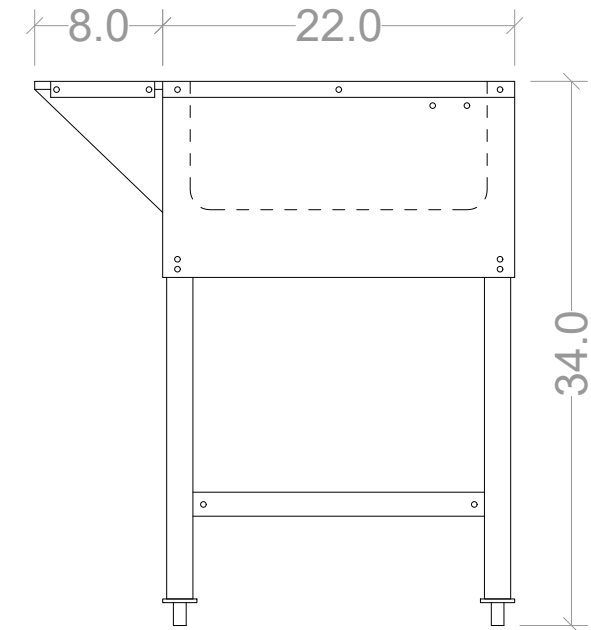
LEFT VIEW



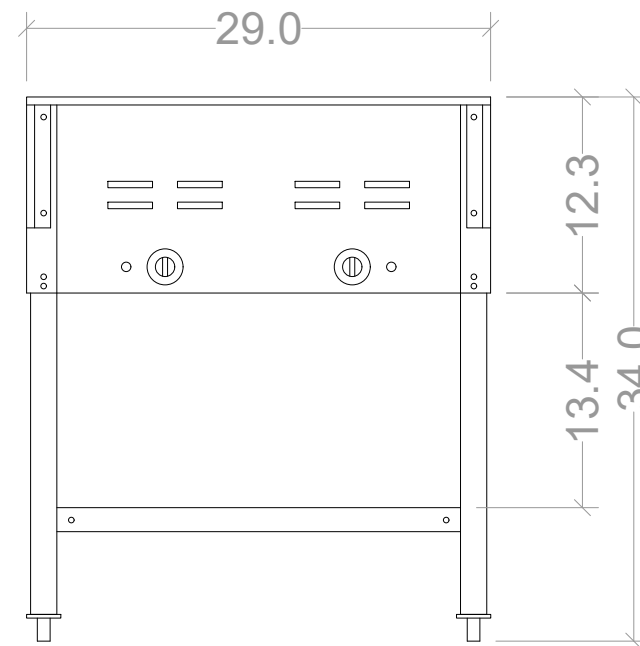
TOP VIEW



RIGHT VIEW

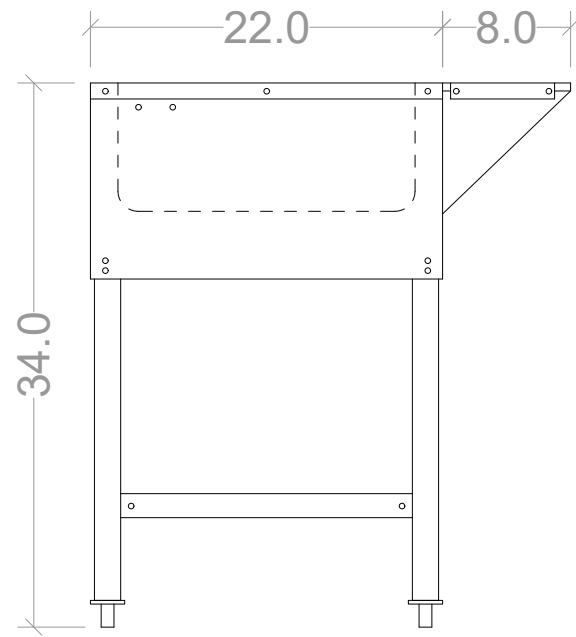


FRONT VIEW

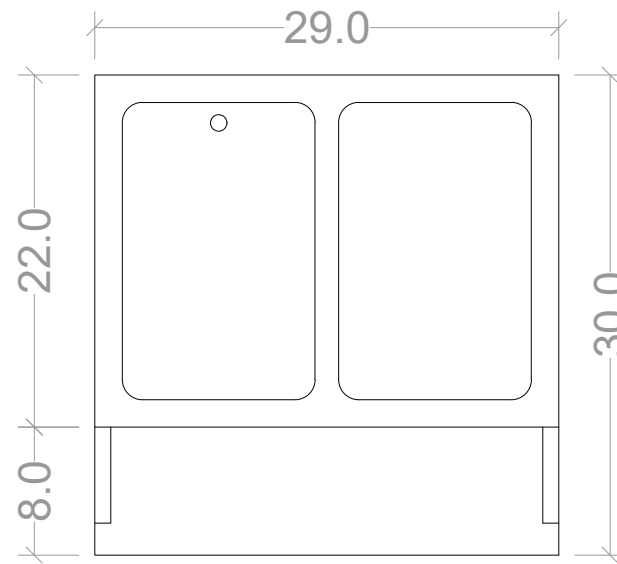


GENERAL TOLERANCES: ANGLES: $+1^{\circ}$ / -1° STRAIGHT: $+0.5\text{ mm}$ / -0.5 mm		CODE		STM-002E	
		STEAM TABLE			
PROJECTION: 		MATERIAL			
		304 STAINLESS STEEL			
GAUGE		FINISH		UNITS	
18		POLISHED		INCH	
REVIEW LEVEL		LAST DATE		DESIGN BY:	
0		01/07/2023		SOLID	

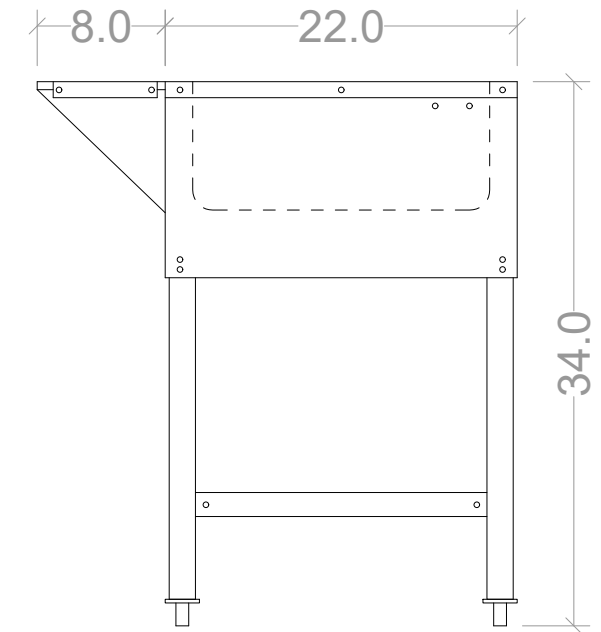
LEFT VIEW



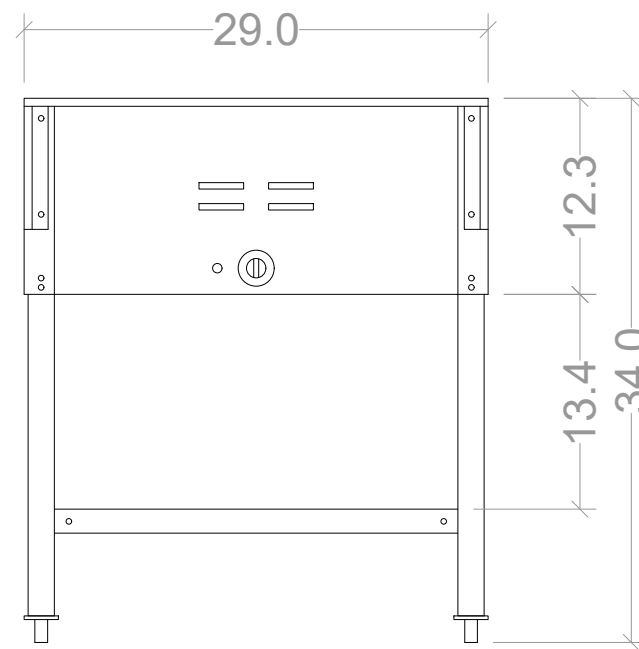
TOP VIEW

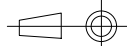


RIGHT VIEW

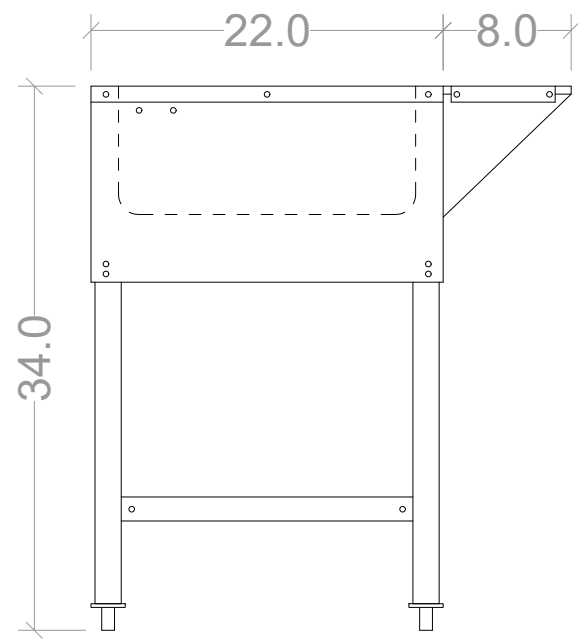


FRONT VIEW

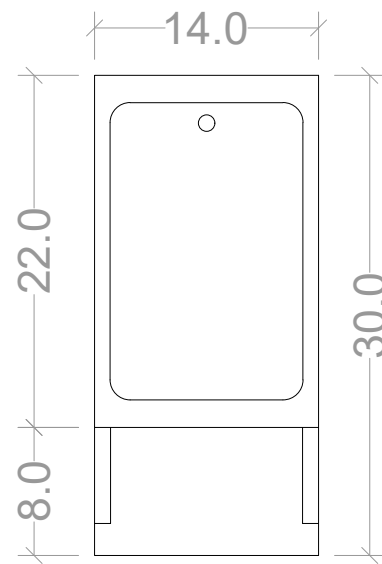


GENERAL TOLERANCES: ANGLES: $\begin{matrix} +1^\circ \\ -1^\circ \end{matrix}$ STRAIGHT: $\begin{matrix} +0.5 \text{ mm} \\ -0.5 \text{ mm} \end{matrix}$		CODE		STM-002E	
		STEAM TABLE			
PROJECTION: 		MATERIAL		304 STAINLESS STEEL	
		GAUGE	FINISH	UNITS	
		18	POLISHED	INCH	
		REVIEW LEVEL	LAST DATE	DESIGN BY:	
		0	01/07/2023	SOLID	

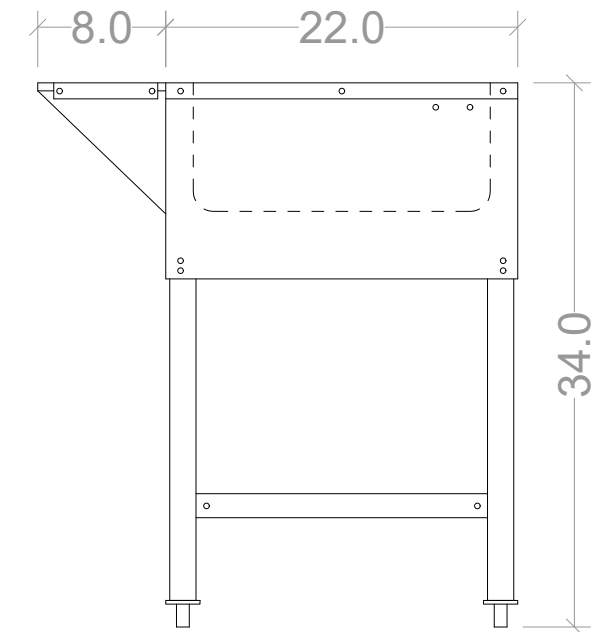
LEFT VIEW



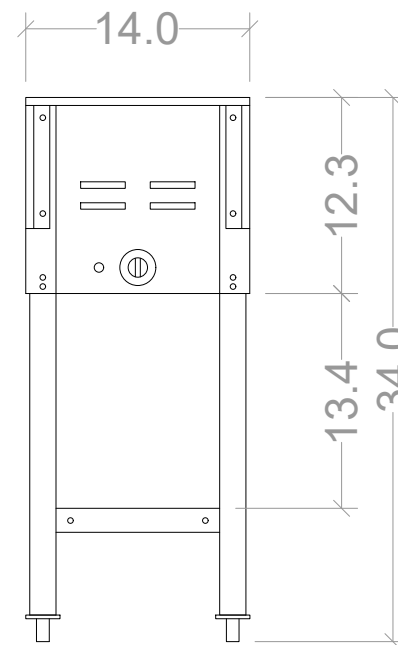
TOP VIEW

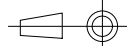


RIGHT VIEW



FRONT VIEW



GENERAL TOLERANCES: ANGLES: $\begin{matrix} +1^\circ \\ -1^\circ \end{matrix}$ STRAIGHT: $\begin{matrix} +0.5 \text{ mm} \\ -0.5 \text{ mm} \end{matrix}$		CODE		STM-001E	
		STEAM TABLE			
PROJECTION: 		MATERIAL		304 STAINLESS STEEL	
		GAUGE	FINISH	UNITS	
		18	POLISHED	INCH	
		REVIEW LEVEL	LAST DATE	DESIGN BY:	
		0	01/07/2023	SOLID	