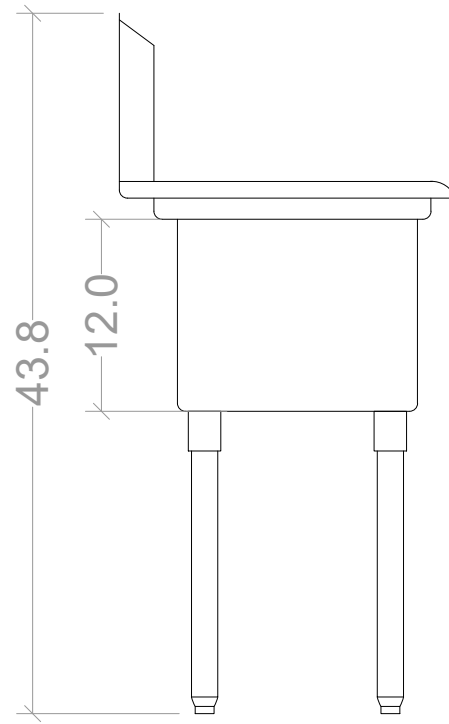
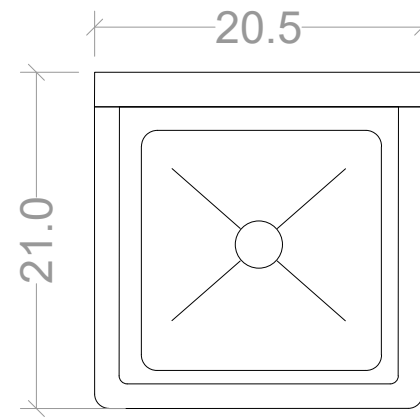


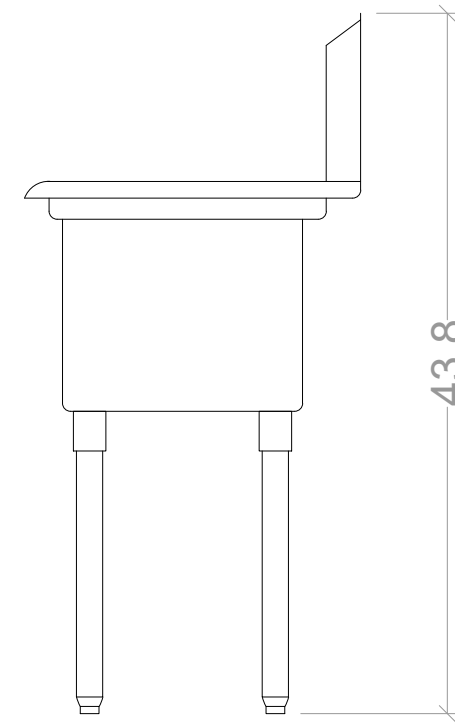
LEFT VIEW



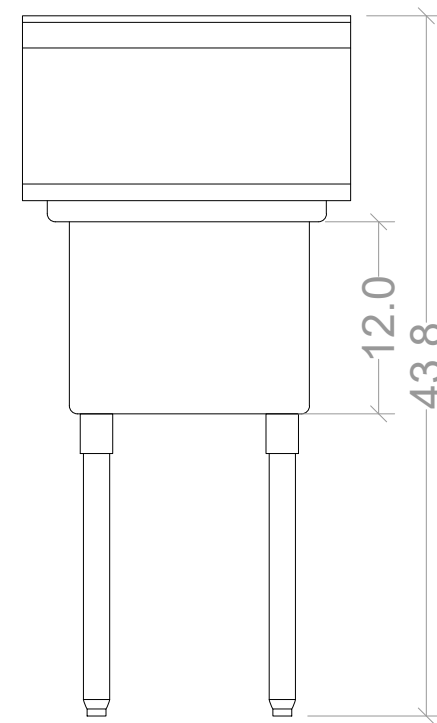
TOP VIEW

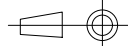


RIGHT VIEW



FRONT VIEW



GENERAL TOLERANCES:		CODE		SNK001	
ANGLES: $\frac{+1^\circ}{-1^\circ}$		SINK			
STRAIGHT: $\frac{+0.5\text{ mm}}{-0.5\text{ mm}}$		MATERIAL			
PROJECTION:		304 STAINLESS STEEL			
		GAUGE	FINISH	UNITS	
		18	POLISHED	INCH	
		REVIEW LEVEL	LAST DATE	DESIGN BY:	
		0	01/07/2023	SOLID	