

SOLID

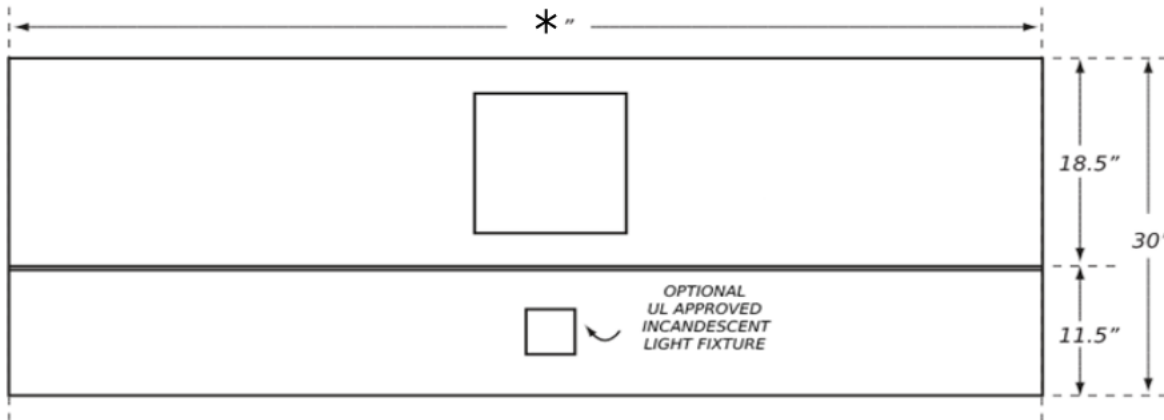


BECOME A RESELLER TODAY

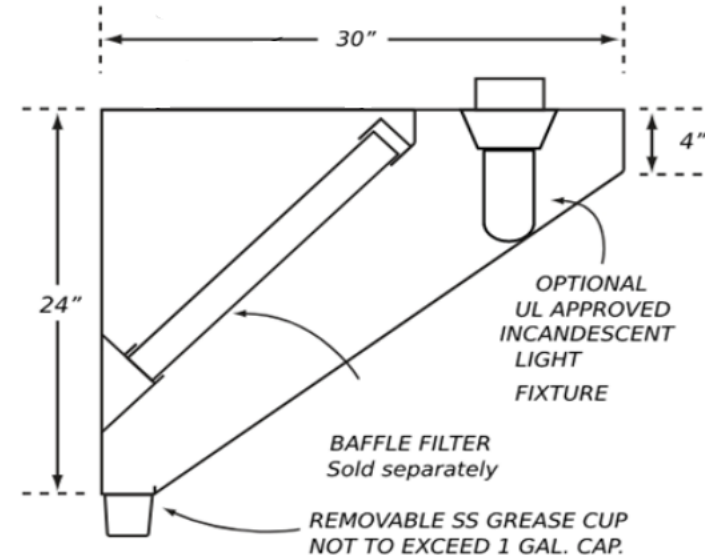
SOLID IS LOOKING FOR DISTRIBUTORS IN MEXICO.

www.SolidEquipment.co

PLAN VIEW -
TYPICAL INSTALLATION



PROFILE VIEW -
TYPICAL INSTALLATION



HOOD INFORMATION

HD
STAINLESS STEEL EXHAUST HOOD
N.S.F. LISTED. CONFORMS TO NFPA96

| STYLE | LENGTH | WIDTH | HEIGHT | HOOD CONSTRUCTION | FILTERS | | | | LIGHTS | |
|-------|--------|-------|--------|-----------------------------|---------------------|-----|--------|--------|--------|--|
| | | | | | TYPE | QTY | HEIGHT | LENGTH | QTY | TYPE |
| HD* | * | 30" | 24" | TYPE: ALL 430 S/S POLISH | BAFFLE W/HANDLES | * | 20" | 20" | 1 | INCANDESCENT LIGHT FIXTURE UL APPROVED |
| | | | | | | * | 20" | 25" | | |

For more info email us at:
sales@solidequipment.co

* Model number, length, and filters quantity varies. Each hood comes with specification of the purchased model.