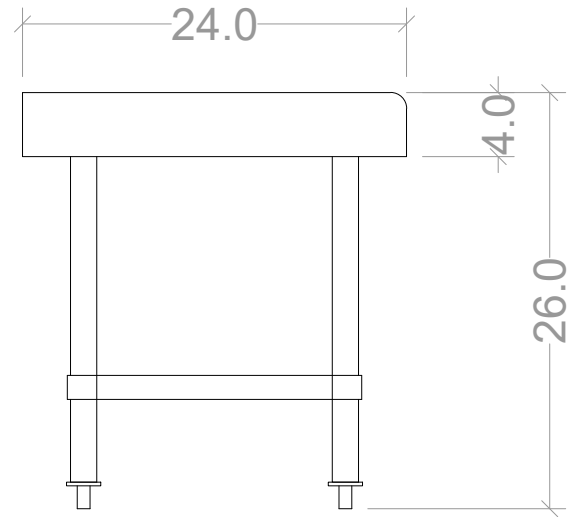
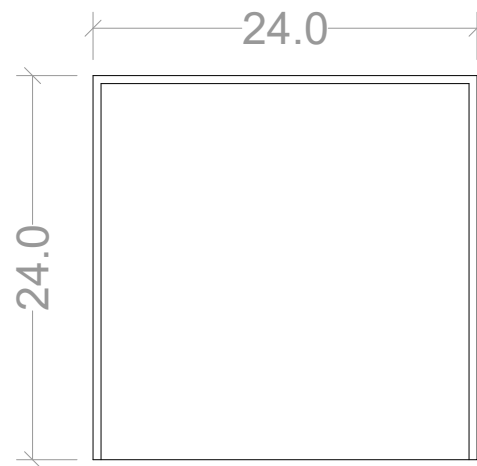


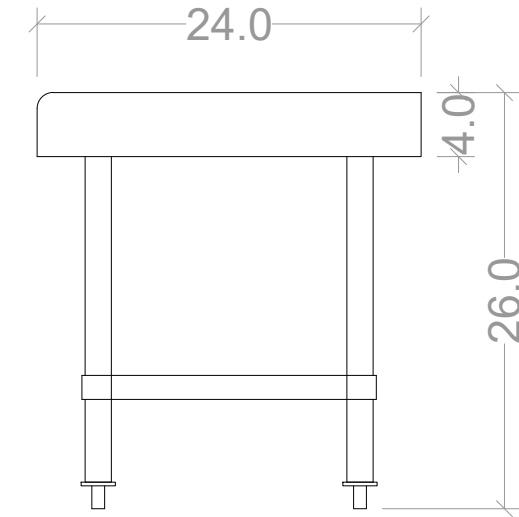
LEFT VIEW



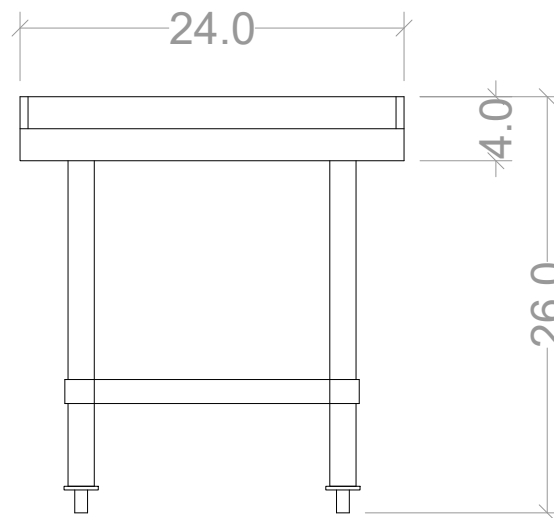
TOP VIEW



RIGHT VIEW

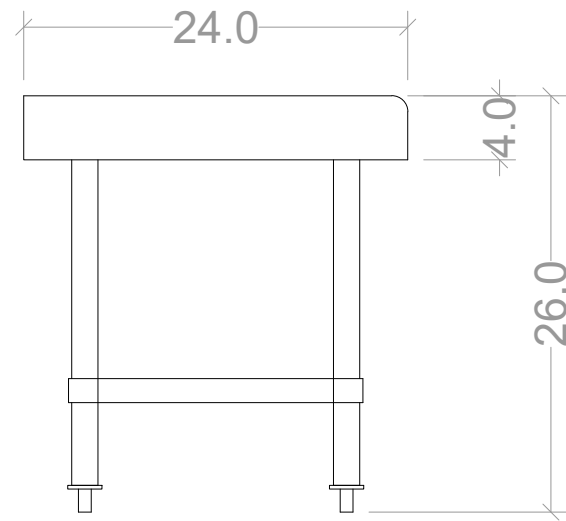


FRONT VIEW

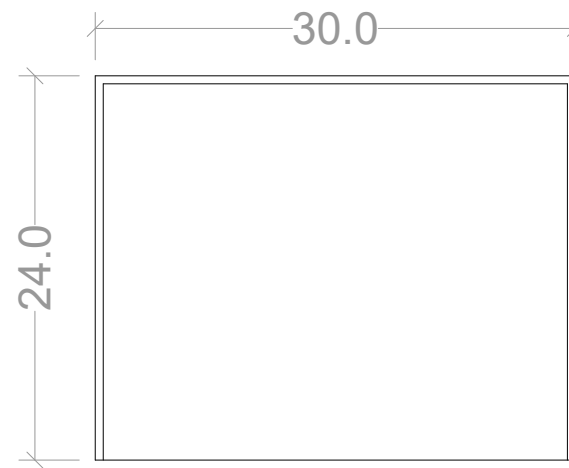


GENERAL TOLERANCES:		CODE		SND001	
ANGLES: $\begin{matrix} +1^\circ \\ -1^\circ \end{matrix}$		TABLES			
STRAIGHT: $\begin{matrix} +0.5 \text{ mm} \\ -0.5 \text{ mm} \end{matrix}$		MATERIAL			
PROJECTION:		304 STAINLESS STEEL			
		GAUGE	FINISH	UNITS	
		18	POLISHED	INCH	
		REVIEW LEVEL	LAST DATE	DESIGN BY:	
		0	01/07/2023	SOLID	

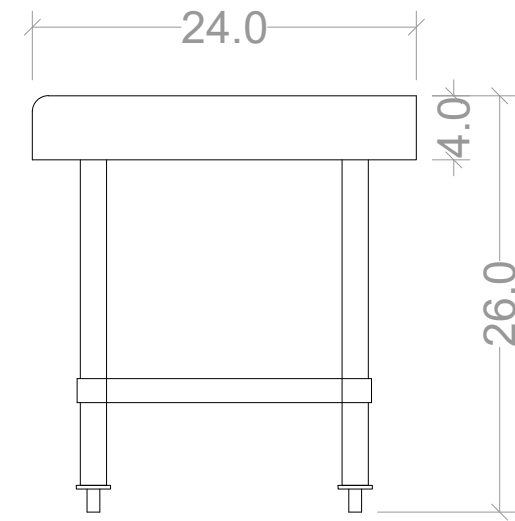
LEFT VIEW



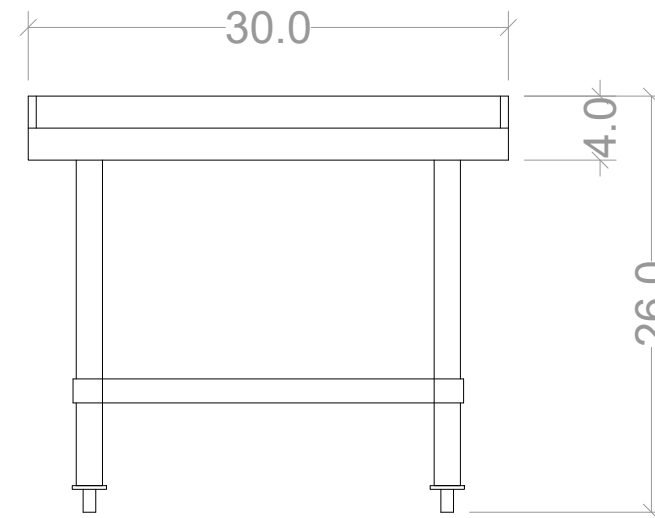
TOP VIEW



RIGHT VIEW

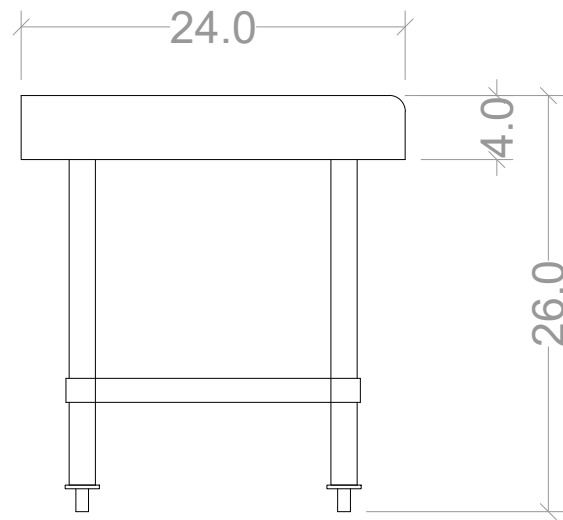


FRONT VIEW



GENERAL TOLERANCES:		CODE		SND002	
ANGLES: $\begin{matrix} +1^\circ \\ -1^\circ \end{matrix}$		TABLES			
STRAIGHT: $\begin{matrix} +0.5 \text{ mm} \\ -0.5 \text{ mm} \end{matrix}$		MATERIAL			
PROJECTION:		304 STAINLESS STEEL			
		GAUGE	FINISH	UNITS	
		18	POLISHED	INCH	
		REVIEW LEVEL	LAST DATE	DESIGN BY:	
		0	01/07/2023	SOLID	

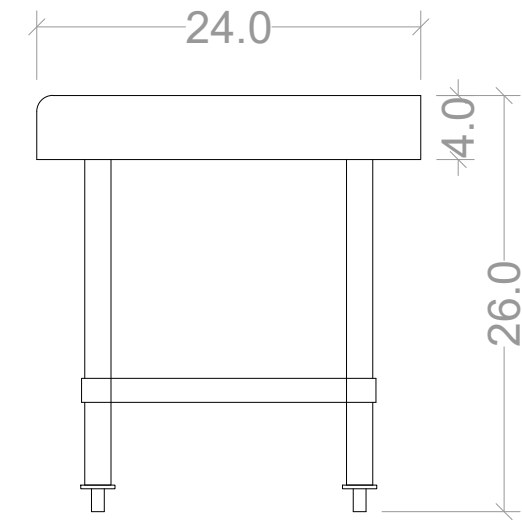
LEFT VIEW



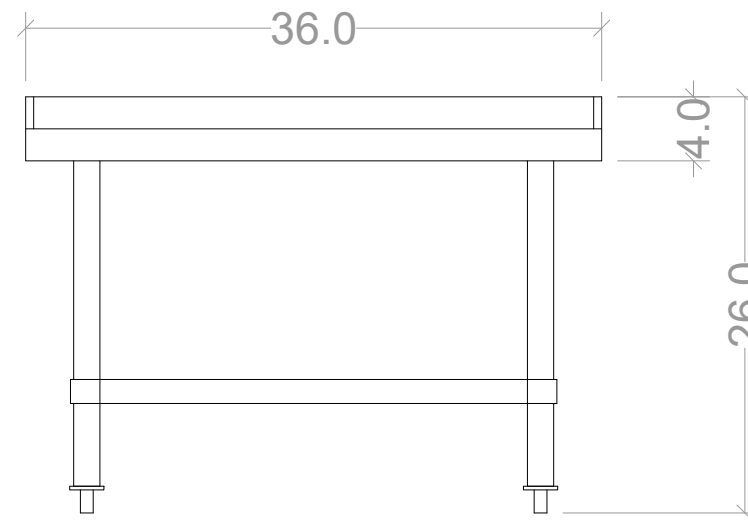
TOP VIEW



RIGHT VIEW

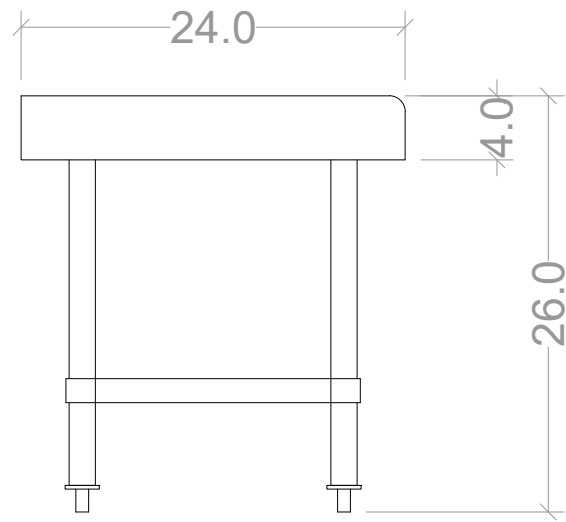


FRONT VIEW



GENERAL TOLERANCES:		CODE		SND003	
ANGLES: $+1^{\circ}$ -1°		TABLES			
STRAIGHT: $+0.5\text{ mm}$ -0.5 mm		MATERIAL			
PROJECTION:		304 STAINLESS STEEL			
		GAUGE	FINISH	UNITS	
		18	POLISHED	INCH	
		REVIEW LEVEL	LAST DATE	DESIGN BY:	
		0	01/07/2023	SOLID	

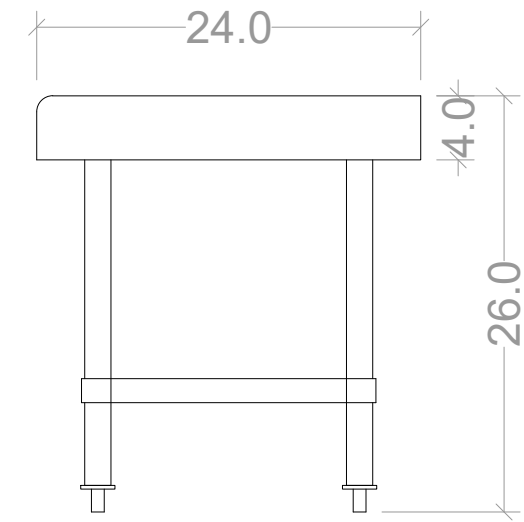
LEFT VIEW



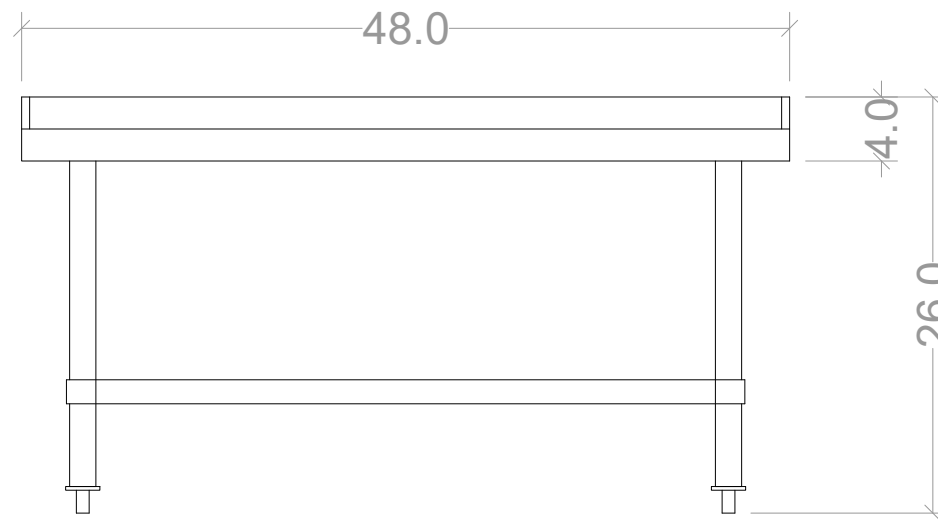
TOP VIEW



RIGHT VIEW



FRONT VIEW



GENERAL TOLERANCES:		CODE		SND004	
ANGLES: $+1^\circ$ -1°		TABLES			
STRAIGHT: $+0.5\text{ mm}$ -0.5 mm		MATERIAL			
PROJECTION:		304 STAINLESS STEEL			
		GAUGE	FINISH	UNITS	
		18	POLISHED	INCH	
		REVIEW LEVEL	LAST DATE	DESIGN BY:	
		0	01/07/2023	SOLID	